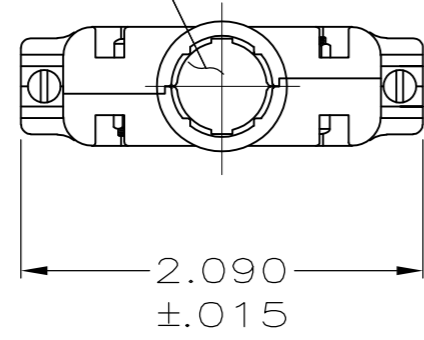


THIS DRAWING IS UNPUBLISHED. RELEASED FOR PUBLICATION
 © COPYRIGHT - By - ALL RIGHTS RESERVED.

LOC	DIST	REVISIONS					
GP	00	P	LTR	DESCRIPTION	DATE	DWN	APVD
		P		REVISED PER ECO-11-004835	11MAR11	RK	HMR

OPENING FOR CABLE
 (SEE DASH NO. FOR DIA.)



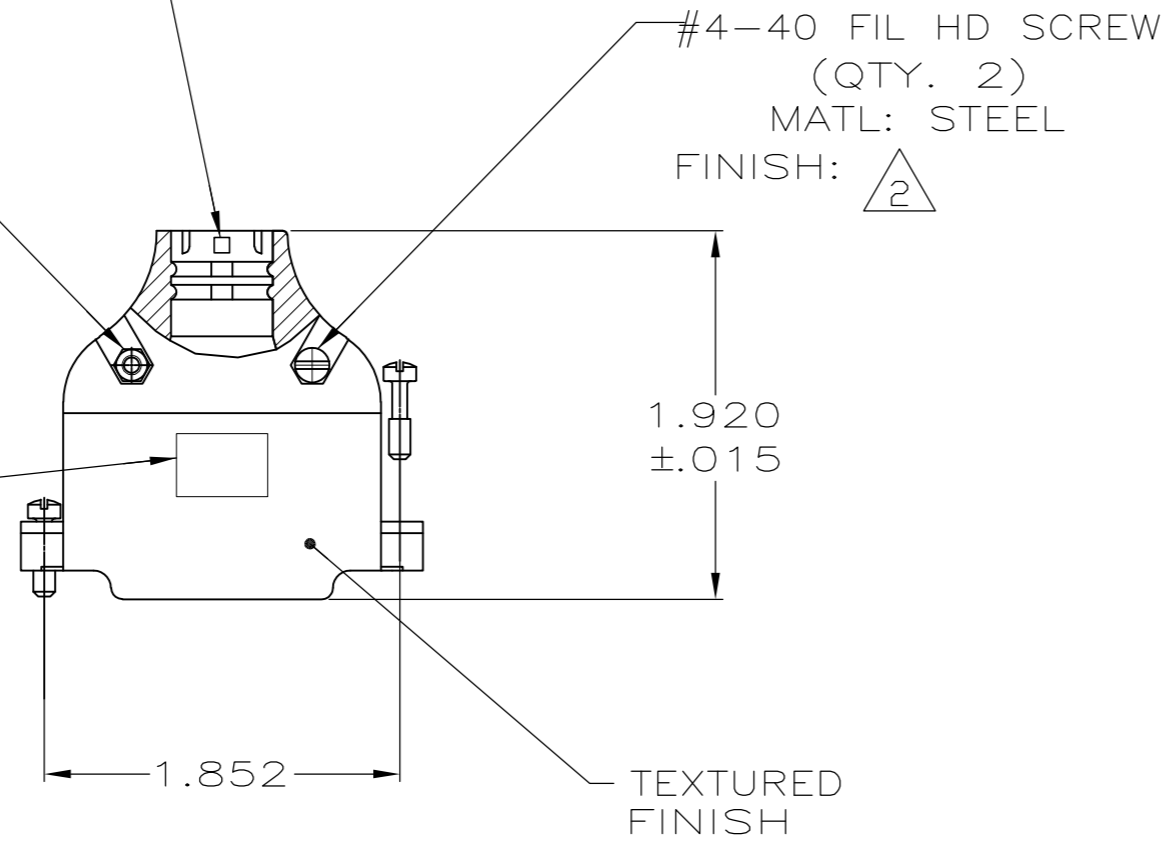
1. PARTS PACKAGED UNASSEMBLED, AS A UNIT KIT.
2. ZINC PLATED .000200-.000400 THICK, CLEAR CHROMATE COATING.

SIZE IDENTIFICATION LETTER
 MOLDED IN APPROXIMATE AREA
 SHOWN, SEE TABLE

#4-40 HEX NUT
 (QTY. 2)
 MATL: CARBON STEEL
 FINISH: 2

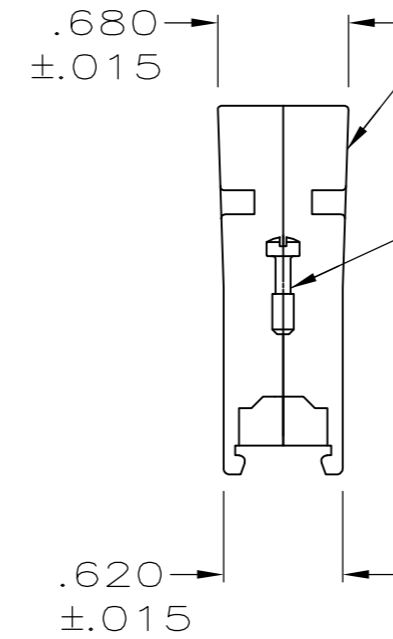
#4-40 FIL HD SCREW
 (QTY. 2)
 MATL: STEEL
 FINISH: 2

AMP LOGO



CABLE CLAMP HALF
 (QTY. 2)
 MATL: ZINC ALLOY
 FINISH: NICKEL OVER COPPER

#4-40 MOUNTING SCREW
 (QTY. 2)
 MATL: CARBON STEEL
 FINISH: 2



D	.280	5745173-5
G	.350	5745173-4
K	.430	5745173-3
M	.480	5745173-2
P	.530	5745173-1
NECK SIZE IDENT	MAX CABLE DIA	PART NUMBER

THIS DRAWING IS A CONTROLLED DOCUMENT.		DWN	12AUG05		TE Connectivity
		CHK	12AUG05		
		APVD	12AUG05		
		PRODUCT SPEC			
DIMENSIONS: INCHES	TOLERANCES UNLESS OTHERWISE SPECIFIED:	NAME		CABLE CLAMP KIT, SIZE 3, 180 DEGREE, AMPLIMITE	
	0 PLC ± -	M. WALMSLEY		SIZE	CAGE CODE
	1 PLC ± -	PRODUCT SPEC		DRAWING NO	RESTRICTED TO
	2 PLC ± -	APPLICATION SPEC		A2	00779
	3 PLC ± .005	WEIGHT		C=5745173	
	4 PLC ± -	MATERIAL		SCALE	SHEET
	ANGLES ± -	FINISH		1:1	1 of 1
MATERIAL SEE CALLOUTS	FINISH SEE CALLOUTS	CUSTOMER DRAWING		REV	P